

# 8-Mbit (512K x 16) MoBL<sup>®</sup> Static RAM

## Features

- **Temperature Ranges**
  - Industrial:  $-40^{\circ}\text{C}$  to  $85^{\circ}\text{C}$
  - Automotive-A:  $-40^{\circ}\text{C}$  to  $85^{\circ}\text{C}$
  - Automotive-E:  $-40^{\circ}\text{C}$  to  $125^{\circ}\text{C}$
- **Very high speed: 45 ns**
- **Wide voltage range: 2.20V–3.60V**
- **Pin-compatible with CY62157CV25, CY62157CV30, and CY62157CV33**
- **Ultra-low active power**
  - Typical active current: 1.5 mA @  $f = 1\text{ MHz}$
  - Typical active current: 12 mA @  $f = f_{\text{max}}$
- **Ultra-low standby power**
- **Easy memory expansion with  $\overline{\text{CE}}_1$ ,  $\text{CE}_2$ , and  $\overline{\text{OE}}$  features**
- **Automatic power-down when deselected**
- **CMOS for optimum speed/power**
- **Available in Pb-free and non Pb-free 48-ball FBGA, 44-pin TSOPII, and Pb-free 48-pin TSOP1**

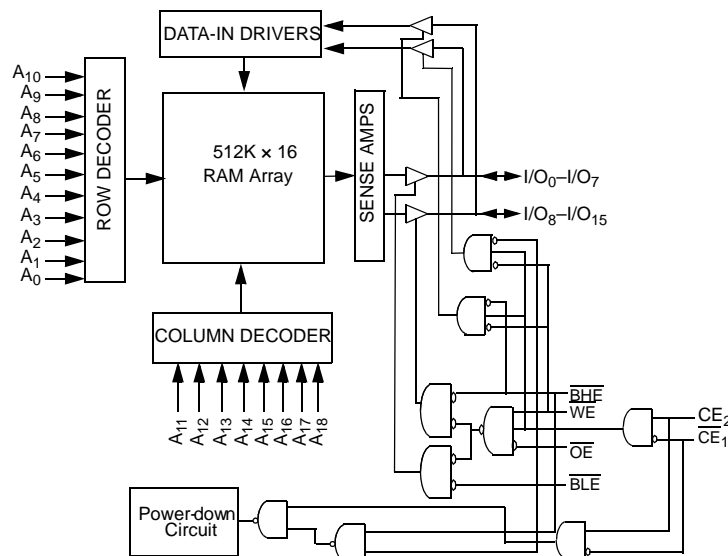
## Functional Description<sup>[1]</sup>

The CY62157DV30 is a high-performance CMOS static RAM organized as 512K words by 16 bits. This device features advanced circuit design to provide ultra-low active current. This is ideal for providing More Battery Life™ (MoBL<sup>®</sup>) in portable applications such as cellular telephones. The device also has an automatic power-down feature that significantly reduces power consumption. The device can also be put into standby mode when deselected ( $\overline{\text{CE}}_1$  HIGH or  $\text{CE}_2$  LOW or both BHE and BLE are HIGH). The input/output pins ( $\text{I/O}_0$  through  $\text{I/O}_{15}$ ) are placed in a high-impedance state when: deselected ( $\overline{\text{CE}}_1$  HIGH or  $\text{CE}_2$  LOW), outputs are disabled ( $\overline{\text{OE}}$  HIGH), both Byte High Enable and Byte Low Enable are disabled (BHE, BLE HIGH), or during a write operation ( $\overline{\text{CE}}_1$  LOW,  $\text{CE}_2$  HIGH and WE LOW).

Writing to the device is accomplished by taking Chip Enables ( $\overline{\text{CE}}_1$  LOW and  $\text{CE}_2$  HIGH) and Write Enable (WE) input LOW. If Byte Low Enable (BLE) is LOW, then data from I/O pins ( $\text{I/O}_0$  through  $\text{I/O}_7$ ), is written into the location specified on the address pins ( $\text{A}_0$  through  $\text{A}_{18}$ ). If Byte High Enable (BHE) is LOW, then data from I/O pins ( $\text{I/O}_8$  through  $\text{I/O}_{15}$ ) is written into the location specified on the address pins ( $\text{A}_0$  through  $\text{A}_{18}$ ).

Reading from the device is accomplished by taking Chip Enables ( $\overline{\text{CE}}_1$  LOW and  $\text{CE}_2$  HIGH) and Output Enable ( $\overline{\text{OE}}$ ) LOW while forcing the Write Enable (WE) HIGH. If Byte Low Enable (BLE) is LOW, then data from the memory location specified by the address pins will appear on  $\text{I/O}_0$  to  $\text{I/O}_7$ . If Byte High Enable (BHE) is LOW, then data from memory will appear on  $\text{I/O}_8$  to  $\text{I/O}_{15}$ . See the truth table for a complete description of read and write modes.

## Logic Block Diagram



### Note:

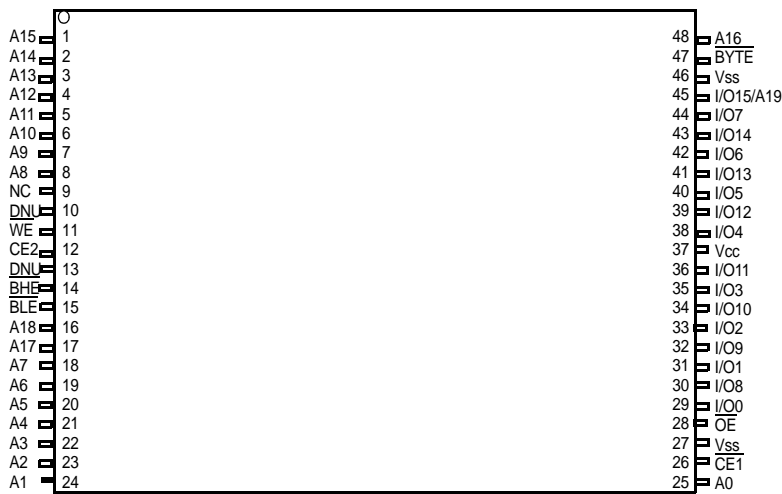
1. For best practice recommendations, please refer to the Cypress application note entitled *System Design Guidelines*, which is available at <http://www.cypress.com>.

**Product Portfolio**

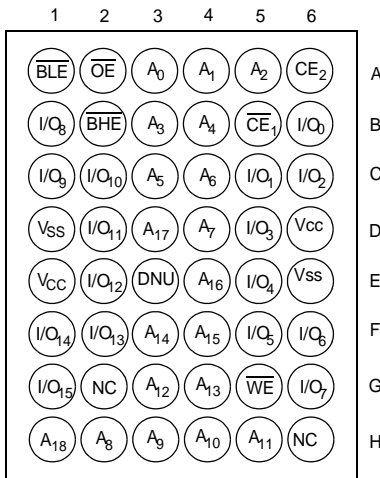
Product	Range	V <sub>CC</sub> Range (V)			Speed (ns)	Power Dissipation					
						Operating I <sub>CC</sub> (mA)				Standby I <sub>SB2</sub> (μA)	
		Min.	Typ. <sup>[2]</sup>	Max.		f = 1MHz		f = f <sub>max</sub>			
						Typ. <sup>[2]</sup>	Max.	Typ. <sup>[2]</sup>	Max.	Typ. <sup>[2]</sup>	Max.
CY62157DV30L	Industrial	2.2	3.0	3.6	45, 55, 70	1.5	3	12	20	2	20
CY62157DV30LL	Industrial	2.2	3.0	3.6	45, 55, 70	1.5	3	12	15	2	8
CY62157DV30LL	Automotive-A	2.2	3.0	3.6	55	1.5	3	12	15	2	8
CY62157DV30L	Automotive-E	2.2	3.0	3.6	55	1.5	3	12	20	2	50

**Pin Configuration<sup>[4, 5, 6]</sup>**

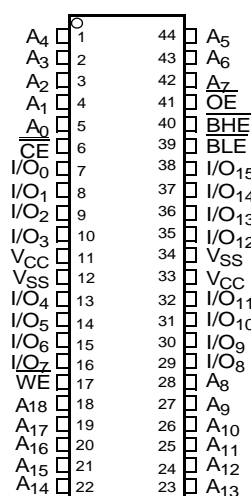
**48-Pin TSOP I Pinout  
Top View**



**48-Ball FBGA Pinout  
Top View**



**44-pin TSOP II Pinout  
Top View**



**Notes:**

- Typical values are included for reference only and are not guaranteed or tested. Typical values are measured at V<sub>CC</sub> = V<sub>CC(typ.)</sub>, T<sub>A</sub> = 25°C.
- NC pins are not internally connected on the die.
- DNU pins have to be left floating.
- The BYTE pin in the 48-TSOP I package has to be tied HIGH to use the device as a 512K x 16 SRAM. The 48-TSOP I package can also be used as a 1M x 8 SRAM by tying the BYTE signal LOW. For 1M x 8 Functionality, please refer to the CY62158DV30 datasheet. In the 1M x 8 configuration, Pin 45 is A19, while BHE, BLE and I/O8 to I/O14 pins are not used.
- The 44-TSOP II package device has only one chip enable pin (CE).

NOT RECOMMENDED FOR NEW DESIGNS  
ONE OR MORE ORDERABLE PARTS ASSOCIATED WITH THIS DOCUMENT IS OBSOLETE. FOR  
REPLACEMENT PART INQUIRIES, PLEASE CONTACT YOUR LOCAL SALES REPRESENTATIVE

### Maximum Ratings

(Above which the useful life may be impaired. For user guidelines, not tested.)

Storage Temperature .....	-65°C to + 150°C
Ambient Temperature with Power Applied.....	-55°C to + 125°C
Supply Voltage to Ground Potential .....	-0.3V to $V_{CC(max)}$ + 0.3V
DC Voltage Applied to Outputs in High-Z State <sup>[8, 9]</sup> .....	-0.3V to $V_{CC(max)}$ + 0.3V
DC Input Voltage <sup>[8, 9]</sup> .....	-0.3V to $V_{CC(max)}$ + 0.3V
Output Current into Outputs (LOW) .....	20 mA

Static Discharge Voltage..... >2001V (per MIL-STD-883, Method 3015)

Latch-up Current..... >200 mA

### Operating Range

Device	Range	Ambient Temperature ( $T_A$ )	$V_{CC}$ <sup>[10]</sup>
CY62157DV30L	Industrial	-40°C to +85°C	2.20V to 3.60V
CY62157DV30LL			
CY62157DV30LL	Automotive-A	-40°C to +85°C	
CY62157DV30L			

### Electrical Characteristics Over the Operating Range

Parameter	Description	Test Conditions	-45, -55, -70			Unit	
			Min.	Typ. <sup>[2]</sup>	Max.		
$V_{OH}$	Output HIGH Voltage	$I_{OH} = -0.1$ mA	$V_{CC} = 2.20$ V	2.0		V	
		$I_{OH} = -1.0$ mA	$V_{CC} = 2.70$ V	2.4		V	
$V_{OL}$	Output LOW Voltage	$I_{OL} = 0.1$ mA	$V_{CC} = 2.20$ V		0.4	V	
		$I_{OL} = 2.1$ mA	$V_{CC} = 2.70$ V		0.4	V	
$V_{IH}$	Input HIGH Voltage	$V_{CC} = 2.2$ V to 2.7 V		1.8	$V_{CC} + 0.3$	V	
		$V_{CC} = 2.7$ V to 3.6 V		2.2	$V_{CC} + 0.3$	V	
$V_{IL}$	Input LOW Voltage	$V_{CC} = 2.2$ V to 2.7 V		-0.3	0.6	V	
		$V_{CC} = 2.7$ V to 3.6 V		-0.3	0.8	V	
$I_{IX}$	Input Leakage Current	$GND \leq V_I \leq V_{CC}$	Ind'l/Auto-A <sup>[7]</sup>	-1	+1	$\mu$ A	
			Auto-E <sup>[7]</sup>	-4	+4	$\mu$ A	
$I_{OZ}$	Output Leakage Current	$GND \leq V_O \leq V_{CC}$ , Output Disabled	Ind'l/Auto-A <sup>[7]</sup>	-1	+1	$\mu$ A	
			Auto-E <sup>[7]</sup>	-4	+4	$\mu$ A	
$I_{CC}$	$V_{CC}$ Operating Supply Current	$f = f_{MAX} = 1/t_{RC}$	$V_{CC} = V_{CCmax}$ $I_{OUT} = 0$ mA CMOS levels	L	12	20	mA
				LL	12	15	mA
		$f = 1$ MHz	L	1.5	3	mA	
			LL	1.5	3	mA	
$I_{SB1}$	Automatic CE Power-Down Current — CMOS Inputs	$\overline{CE}_1 \geq V_{CC} - 0.2$ V, $CE_2 \leq 0.2$ V $V_{IN} \geq V_{CC} - 0.2$ V, $V_{IN} \leq 0.2$ V $f = f_{MAX}$ (Address and Data Only), $f = 0$ (OE, WE, BHE and BLE), $V_{CC} = 3.60$ V	Ind'l	L	2	20	$\mu$ A
			Ind'l/Auto-A <sup>[7]</sup>	LL	2	8	
			Auto-E <sup>[7]</sup>	L		50	
$I_{SB2}$	Automatic CE Power-Down Current -CMOS Inputs	$\overline{CE}_1 \geq V_{CC} - 0.2$ V or $CE_2 \leq 0.2$ V, $V_{IN} \geq V_{CC} - 0.2$ V or $V_{IN} \leq 0.2$ V, $f = 0$ , $V_{CC} = 3.60$ V	Ind'l <sup>[7]</sup>	L	2	20	$\mu$ A
			Ind'l/Auto-A <sup>[7]</sup>	LL	2	8	
			Auto-E <sup>[7]</sup>	L		50	

### Capacitance<sup>[11, 12]</sup>

Parameter	Description	Test Conditions	Max.	Unit
$C_{IN}$	Input Capacitance	$T_A = 25^\circ\text{C}$ , $f = 1$ MHz,	10	pF
$C_{OUT}$	Output Capacitance	$V_{CC} = V_{CC(typ)}$	10	pF

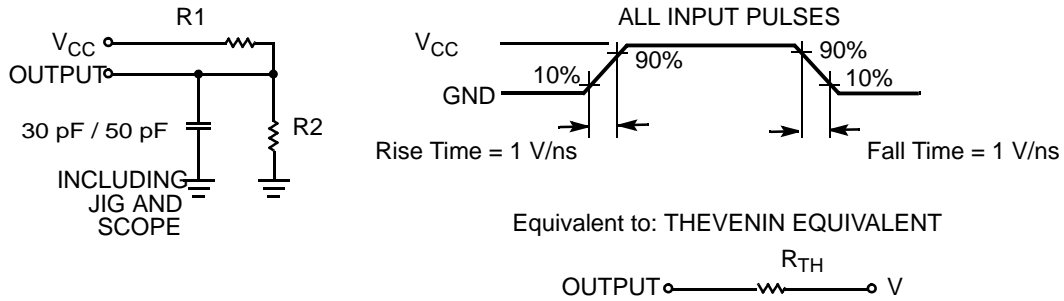
#### Notes:

7. Automotive-A and Automotive-E available only in -55.
8.  $V_{IL(min)}$  = -2.0V for pulse durations less than 20 ns.
9.  $V_{IH(max)}$  =  $V_{CC} + 0.75$ V for pulse duration less than 20 ns.
10. Full device AC operation assumes a 100  $\mu$ s ramp time from 0 to  $V_{CC(min)}$  and 200  $\mu$ s wait time after  $V_{CC}$  stabilization.
11. Tested initially and after any design or process changes that may affect these parameters.
12. The input capacitance on the  $CE_2$  pin of the FBGA and 48TSOPI packages and on the BHE pin of the 44TSOPII package is 15 pF.

NOT RECOMMENDED FOR NEW DESIGNS  
ONE OR MORE ORDERABLE PARTS ASSOCIATED WITH THIS DOCUMENT IS OBSOLETE. FOR REPLACEMENT PART INQUIRIES, PLEASE CONTACT YOUR LOCAL SALES REPRESENTATIVE

**Thermal Resistance<sup>[11]</sup>**

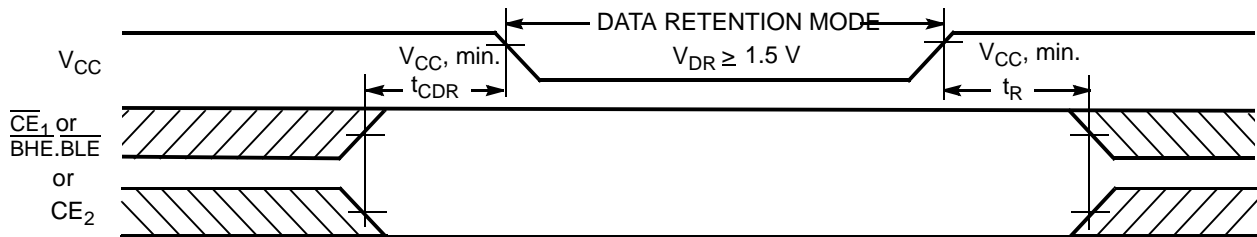
Parameter	Description	Test Conditions	FBGA	TSOP II	TSOP I	Unit
$\Theta_{JA}$	Thermal Resistance (Junction to Ambient)	Still Air, soldered on a 3 x 4.5 inch, four-layer printed circuit board	39.3	35.62	36.9	°C/W
$\Theta_{JC}$	Thermal Resistance (Junction to Case)		9.69	9.13	10.05	°C/W

**AC Test Loads and Waveforms<sup>[13]</sup>**


Parameters	2.50V	3.0V	Unit
R1	16667	1103	$\Omega$
R2	15385	1554	$\Omega$
$R_{TH}$	8000	645	$\Omega$
$V_{TH}$	1.20	1.75	V

**Data Retention Characteristics (Over the Operating Range)**

Parameter	Description	Conditions	Min.	Typ. <sup>[2]</sup>	Max.	Unit
$V_{DR}$	$V_{CC}$ for Data Retention		1.5			V
$I_{CCDR}$	Data Retention Current	$V_{CC} = 1.5V$ $CE_1 \geq V_{CC} - 0.2V, CE_2 \leq 0.2V,$ $V_{IN} \geq V_{CC} - 0.2V$ or $V_{IN} \leq 0.2V$	Ind'I (L)		10	$\mu A$
			Ind'I/Auto-A (LL)		4	
			Auto-E (L)		25	
$t_{CDR}^{[11]}$	Chip Deselect to Data Retention Time		0			ns
$t_R^{[14]}$	Operation Recovery Time		$t_{RC}$			ns

**Data Retention Waveform<sup>[15]</sup>**

**Notes:**

13. Test condition for the 45 ns part is a load capacitance of 30 pF.

14. Full device operation requires linear  $V_{CC}$  ramp from  $V_{DR}$  to  $V_{CC(min.)} \geq 100 \mu s$  or stable at  $V_{CC(min.)} \geq 100 \mu s$ .

**Switching Characteristics** Over the Operating Range <sup>[16]</sup>

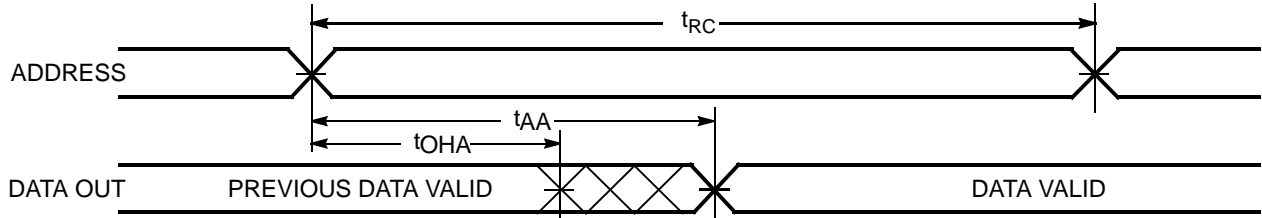
Parameter	Description	45 ns <sup>[13]</sup>		55 ns		70 ns		Unit
		Min.	Max.	Min.	Max.	Min.	Max.	
<b>Read Cycle</b>								
t <sub>RC</sub>	Read Cycle Time	45		55		70		ns
t <sub>AA</sub>	Address to Data Valid		45		55		70	ns
t <sub>OHA</sub>	Data Hold from Address Change	10		10		10		ns
t <sub>ACE</sub>	$\overline{CE}_1$ LOW and CE <sub>2</sub> HIGH to Data Valid		45		55		70	ns
t <sub>DOE</sub>	$\overline{OE}$ LOW to Data Valid		25		25		35	ns
t <sub>LZOE</sub>	$\overline{OE}$ LOW to Low Z <sup>[17]</sup>	5		5		5		ns
t <sub>HZOE</sub>	$\overline{OE}$ HIGH to High Z <sup>[17, 18]</sup>		15		20		25	ns
t <sub>LZCE</sub>	$\overline{CE}_1$ LOW and CE <sub>2</sub> HIGH to Low Z <sup>[17]</sup>	10		10		10		ns
t <sub>HZCE</sub>	$\overline{CE}_1$ HIGH and CE <sub>2</sub> LOW to High Z <sup>[17, 18]</sup>		20		20		25	ns
t <sub>PU</sub>	$\overline{CE}_1$ LOW and CE <sub>2</sub> HIGH to Power-Up	0		0		0		ns
t <sub>PD</sub>	$\overline{CE}_1$ HIGH and CE <sub>2</sub> LOW to Power-Down		45		55		70	ns
t <sub>DBE</sub>	$\overline{BLE}/\overline{BHE}$ LOW to Data Valid		45		55		70	ns
t <sub>LZBE</sub>	$\overline{BLE}/\overline{BHE}$ LOW to Low Z <sup>[17]</sup>	10		10		10		ns
t <sub>HZBE</sub>	$\overline{BLE}/\overline{BHE}$ HIGH to HIGH Z <sup>[17, 18]</sup>		15		20		25	ns
<b>Write Cycle<sup>[19]</sup></b>								
t <sub>WC</sub>	Write Cycle Time	45		55		70		ns
t <sub>SCE</sub>	$\overline{CE}_1$ LOW and CE <sub>2</sub> HIGH to Write End	40		40		60		ns
t <sub>AW</sub>	Address Set-up to Write End	40		40		60		ns
t <sub>HA</sub>	Address Hold from Write End	0		0		0		ns
t <sub>SA</sub>	Address Set-up to Write Start	0		0		0		ns
t <sub>PWE</sub>	$\overline{WE}$ Pulse Width	35		40		45		ns
t <sub>BW</sub>	$\overline{BLE}/\overline{BHE}$ LOW to Write End	40		40		60		ns
t <sub>SD</sub>	Data Set-up to Write End	25		25		30		ns
t <sub>HD</sub>	Data Hold from Write End	0		0		0		ns
t <sub>HZWE</sub>	$\overline{WE}$ LOW to High-Z <sup>[17, 18]</sup>		15		20		25	ns
t <sub>LZWE</sub>	$\overline{WE}$ HIGH to Low-Z <sup>[17]</sup>	10		10		10		ns

**Notes:**

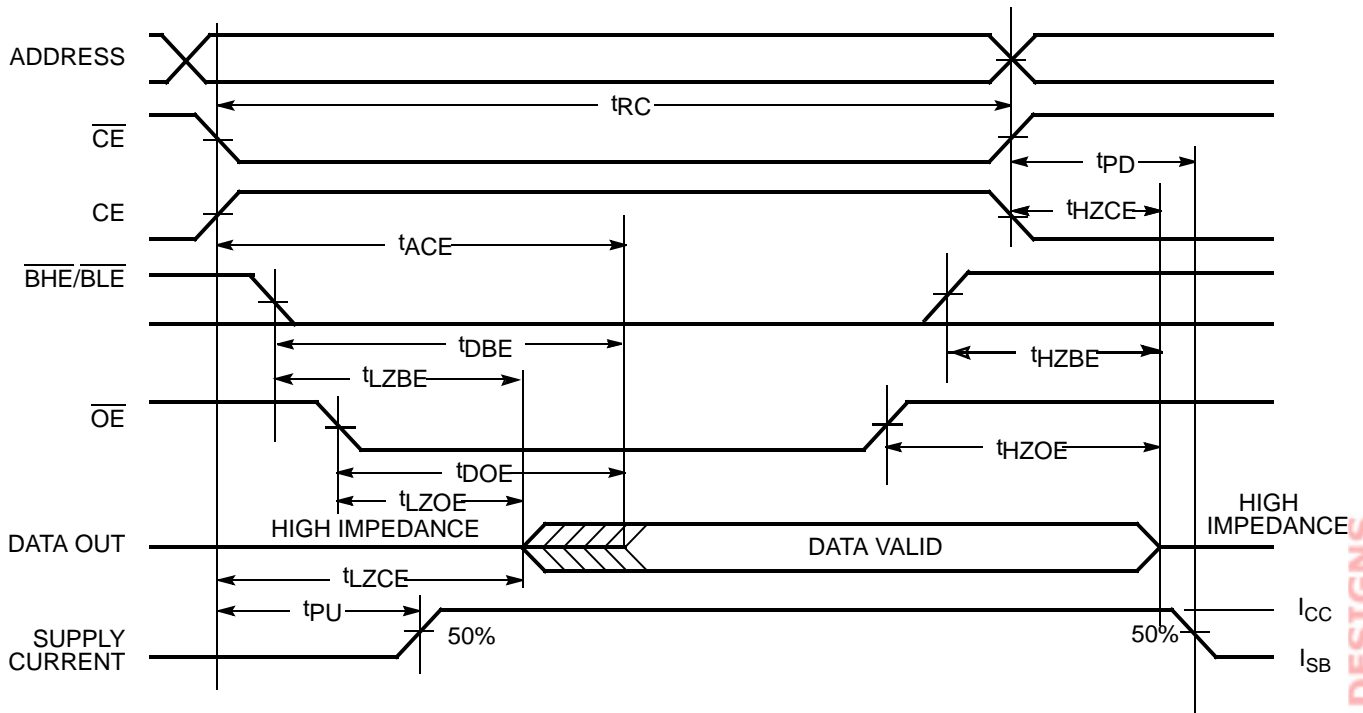
15. BHE.BLE is the AND of both BHE and BLE. Chip can be deselected by either disabling the chip enable signals or by disabling both  $\overline{BHE}$  and  $\overline{BLE}$ .
16. Test conditions for all parameters other than tri-state parameters assume signal transition time of 3 ns or less, timing reference levels of  $V_{CC(typ)}/2$ , input pulse levels of 0 to  $V_{CC(typ)}$ , and output loading of the specified  $I_{OL}/I_{OH}$  as shown in the "AC Test Loads and Waveforms" section.
17. At any given temperature and voltage condition, t<sub>HZCE</sub> is less than t<sub>LZCE</sub>, t<sub>HZBE</sub> is less than t<sub>LZBE</sub>, t<sub>HZOE</sub> is less than t<sub>LZOE</sub>, and t<sub>HZWE</sub> is less than t<sub>LZWE</sub> for any given device.
18. t<sub>HZOE</sub>, t<sub>HZCE</sub>, t<sub>HZBE</sub>, and t<sub>HZWE</sub> transitions are measured when the outputs enter a high-impedance state.
19. The internal Write time of the memory is defined by the overlap of  $\overline{WE}$ ,  $\overline{CE}_1 = V_{IL}$ , BHE and/or  $\overline{BLE} = V_{IL}$ , and  $\overline{CE}_2 = V_{IH}$ . All signals must be ACTIVE to initiate a write and any of these signals can terminate a write by going INACTIVE. The data input set-up and hold timing should be referenced to the edge of the signal that terminates the write.

Switching Waveforms

Read Cycle 1 (Address Transition Controlled)<sup>[20, 21]</sup>



Read Cycle 2 ( $\overline{OE}$  Controlled)<sup>[21, 22]</sup>



Notes:

20. The device is continuously selected. OE,  $\overline{CE}_1 = V_{IL}$ ,  $\overline{BHE}$  and/or  $\overline{BLE} = V_{IL}$ , and  $CE_2 = V_{IH}$ .

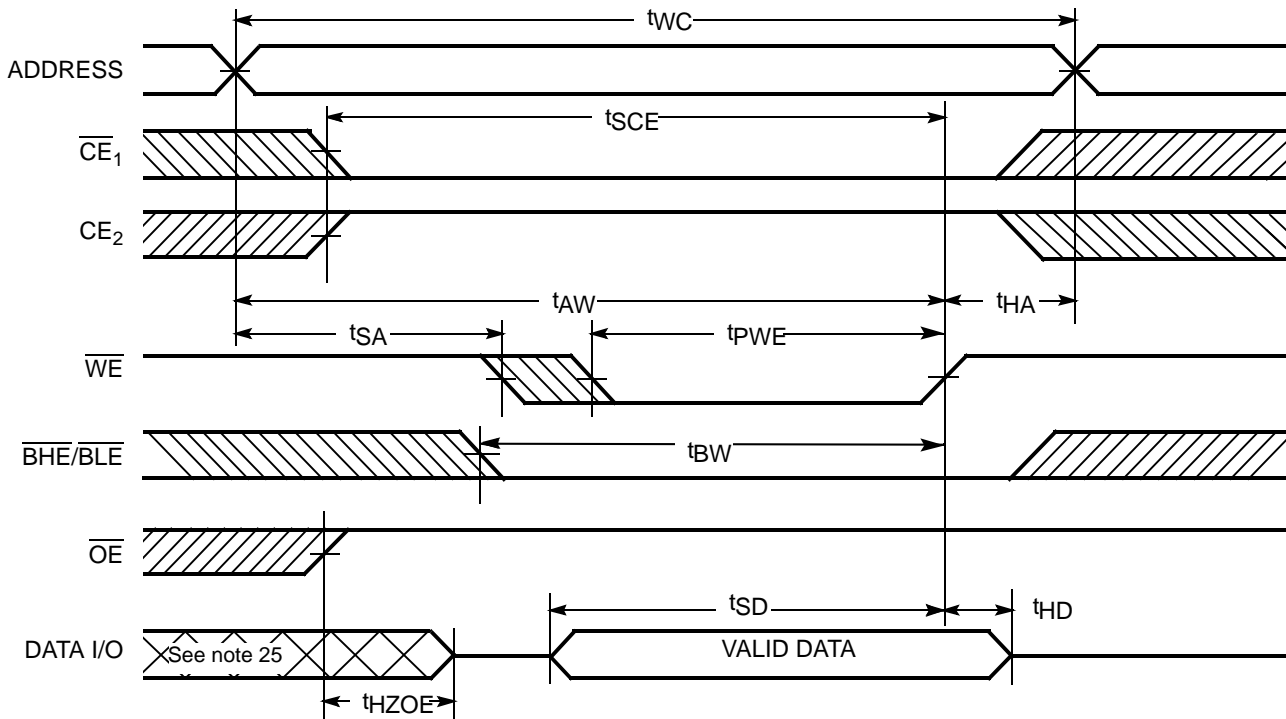
21. WE is HIGH for read cycle.

22. Address valid prior to or coincident with  $\overline{CE}_1$ ,  $\overline{BHE}$ ,  $\overline{BLE}$  transition LOW and  $CE_2$  transition HIGH.

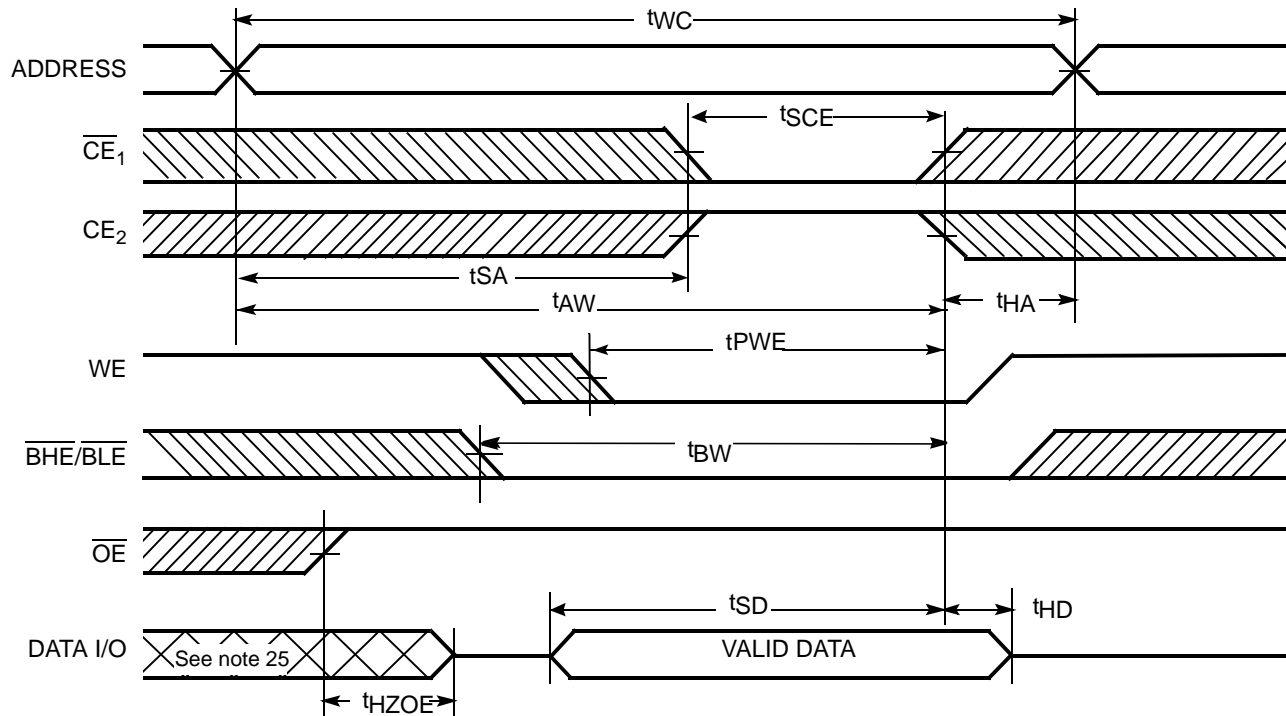
NOT RECOMMENDED FOR NEW DESIGNS  
ONE OR MORE ORDERABLE PARTS ASSOCIATED WITH THIS DOCUMENT IS OBSOLETE. FOR  
REPLACEMENT PART INQUIRIES, PLEASE CONTACT YOUR LOCAL SALES REPRESENTATIVE

Switching Waveforms (continued)

Write Cycle 1 ( $\overline{WE}$  Controlled)<sup>[19, 23, 24, 25]</sup>



Write Cycle 2 ( $\overline{CE}_1$  or  $\overline{CE}_2$  Controlled)<sup>[19, 23, 24, 25]</sup>



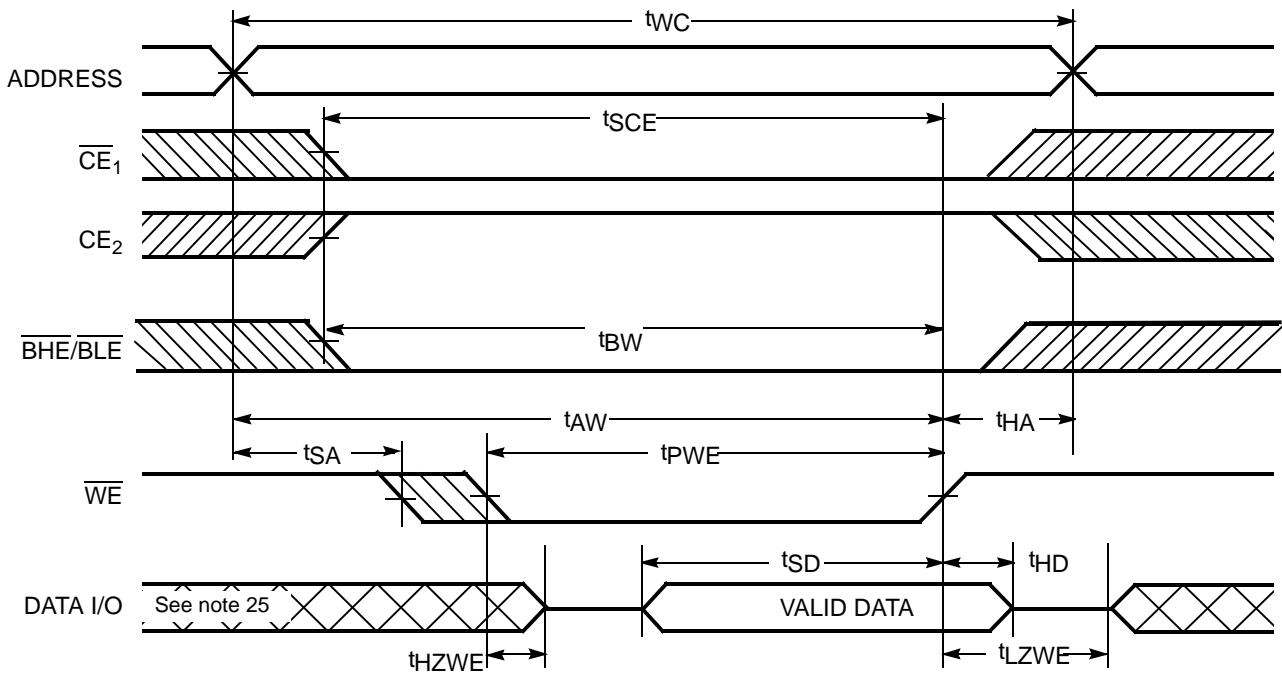
Notes:

- 23. Data I/O is high-impedance if  $\overline{OE} = V_{IH}$ .
- 24. If  $\overline{CE}_1$  goes HIGH and  $\overline{CE}_2$  goes LOW simultaneously with  $\overline{WE} = V_{IH}$ , the output remains in a high-impedance state.
- 25. During this period, the I/Os are in output state and input signals should not be applied.

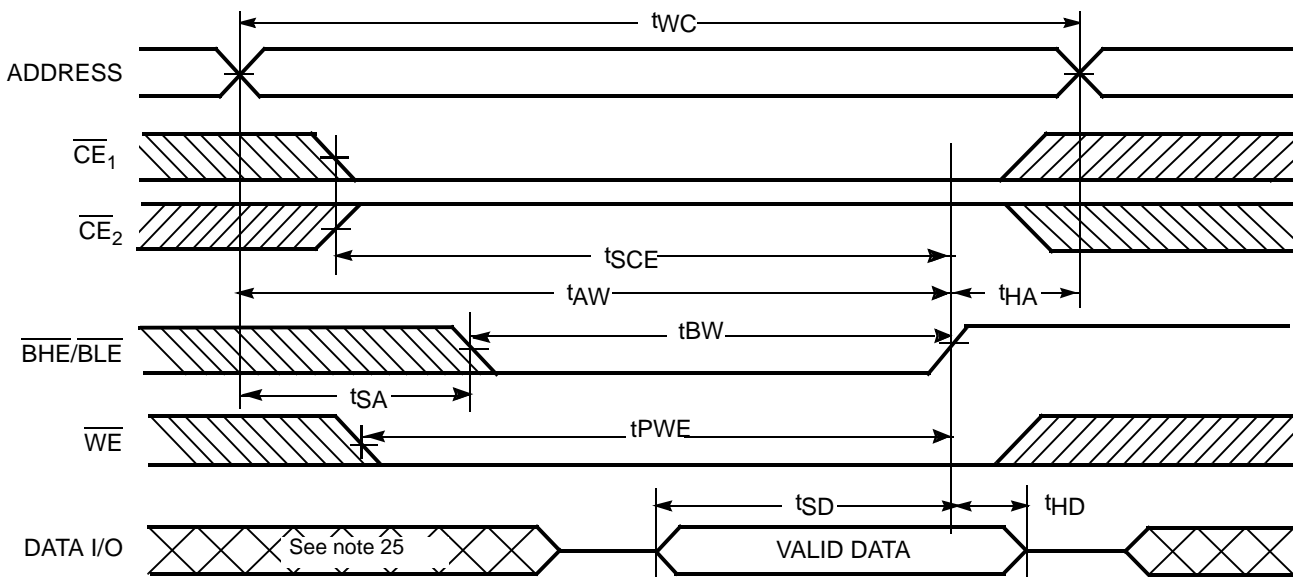
NOT RECOMMENDED FOR NEW DESIGNS  
ONE OR MORE ORDERABLE PARTS ASSOCIATED WITH THIS DOCUMENT IS OBSOLETE. FOR  
REPLACEMENT PART INQUIRIES, PLEASE CONTACT YOUR LOCAL SALES REPRESENTATIVE

Switching Waveforms (continued)

Write Cycle 3 ( $\overline{\text{WE}}$  Controlled,  $\overline{\text{OE}}$  LOW)<sup>[24, 25]</sup>



Write Cycle 4 ( $\overline{\text{BHE/BLE}}$  Controlled,  $\overline{\text{OE}}$  LOW)<sup>[24, 25]</sup>





**Truth Table**

$\overline{CE}_1$	$CE_2$	$\overline{WE}$	$\overline{OE}$	$\overline{BHE}$	$\overline{BLE}$	Inputs/Outputs	Mode	Power
H	X	X	X	X	X	High Z	Deselect/Power-Down	Standby ( $I_{SB}$ )
X	L	X	X	X	X	High Z	Deselect/Power-Down	Standby ( $I_{SB}$ )
X	X	X	X	H	H	High Z	Deselect/Power-Down	Standby ( $I_{SB}$ )
L	H	H	L	L	L	Data Out ( $I/O_0$ – $I/O_{15}$ )	Read (Upper byte and Lower Byte)	Active ( $I_{CC}$ )
L	H	H	L	H	L	Data Out ( $I/O_0$ – $I/O_7$ ); High Z ( $I/O_8$ – $I/O_{15}$ )	Read (Lower Byte only)	Active ( $I_{CC}$ )
L	H	H	L	L	H	High Z ( $I/O_0$ – $I/O_7$ ); Data Out ( $I/O_8$ – $I/O_{15}$ )	Read (Upper Byte only)	Active ( $I_{CC}$ )
L	H	H	H	L	H	High Z	Output Disabled	Active ( $I_{CC}$ )
L	H	H	H	H	L	High Z	Output Disabled	Active ( $I_{CC}$ )
L	H	H	H	L	L	High Z	Output Disabled	Active ( $I_{CC}$ )
L	H	L	X	L	L	Data In ( $I/O_0$ – $I/O_{15}$ )	Write (Upper byte and Lower Byte)	Active ( $I_{CC}$ )
L	H	L	X	H	L	Data In ( $I/O_0$ – $I/O_7$ ); High Z ( $I/O_8$ – $I/O_{15}$ )	Write (Lower Byte only)	Active ( $I_{CC}$ )
L	H	L	X	L	H	High Z ( $I/O_0$ – $I/O_7$ ); Data In ( $I/O_8$ – $I/O_{15}$ )	Write (Upper Byte only)	Active ( $I_{CC}$ )

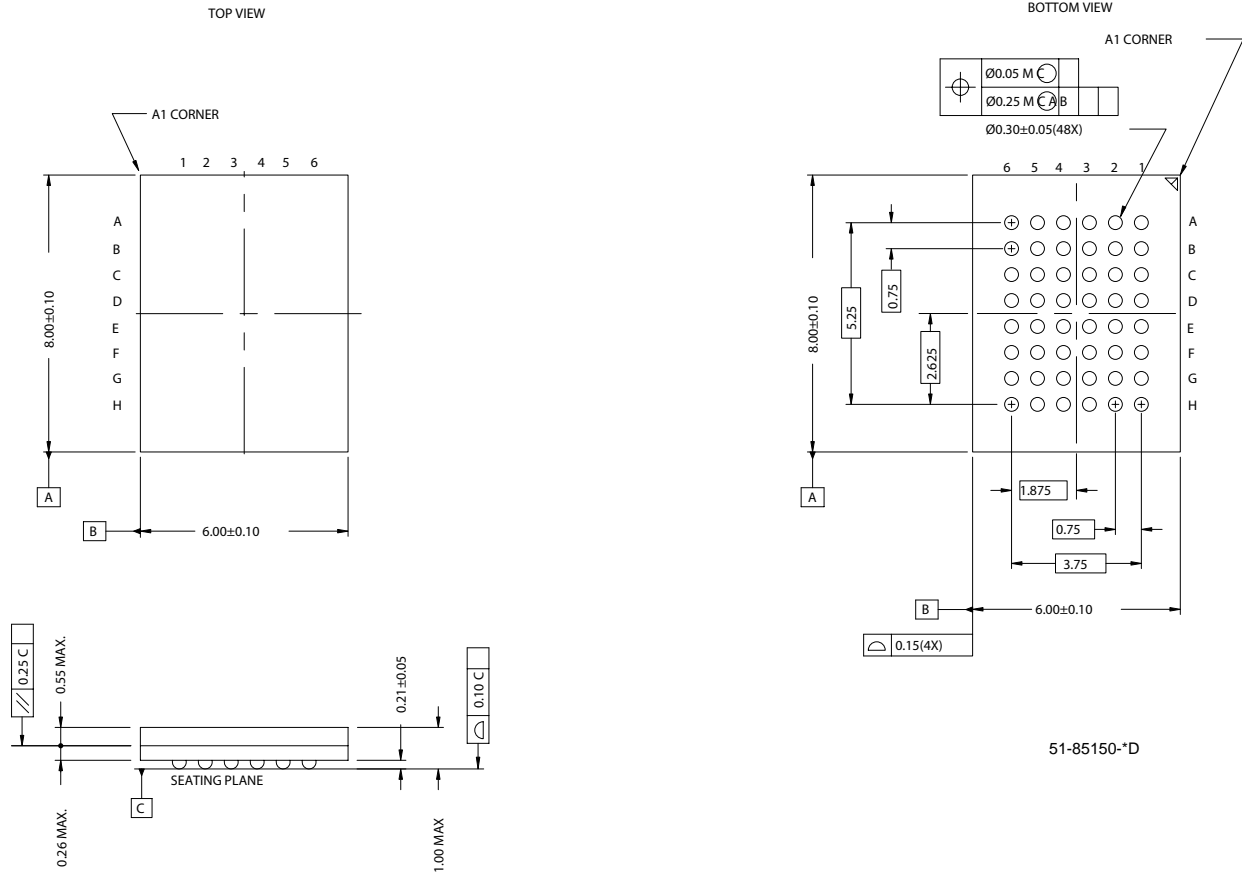
**NOT RECOMMENDED FOR NEW DESIGNS**  
 ONE OR MORE ORDERABLE PARTS ASSOCIATED WITH THIS DOCUMENT IS OBSOLETE. FOR  
 REPLACEMENT PART INQUIRIES, PLEASE CONTACT YOUR LOCAL SALES REPRESENTATIVE

**Ordering Information**

Speed (ns)	Ordering Code	Package Diagram	Package Type	Operating Range
45	CY62157DV30L-45BVI	51-85150	48-ball (6 x 8 x 1 mm) FBGA	Industrial
	CY62157DV30LL-45ZSXI	51-85087	44-pin TSOP II (Pb-free)	
55	CY62157DV30LL-55BVI	51-85150	48-ball (6 x 8 x 1 mm) FBGA	Industrial
	CY62157DV30L-55BVXI		48-ball (6 x 8 x 1 mm) FBGA (Pb-free)	
	CY62157DV30LL-55BVXI			
	CY62157DV30L-55ZXI	51-85183	44-pin TSOP I (Pb-free)	
	CY62157DV30LL-55ZSI	51-85087	44-pin TSOP II	
	CY62157DV30L-55ZSXI		44-pin TSOP II (Pb-free)	
	CY62157DV30LL-55ZSXI			
	CY62157DV30LL-55BVXA	51-85150	48-ball (6 x 8 x 1 mm) FBGA (Pb-free)	Automotive-A
	CY62157DV30L-55BVXE	51-85150	48-ball (6 x 8 x 1 mm) FBGA (Pb-free)	Automotive-E
CY62157DV30L-55ZSXE	51-85087	44-pin TSOP II (Pb-free)		
70	CY62157DV30LL-70BVI	51-85150	48-ball (6 x 8 x 1 mm) FBGA	Industrial
	CY62157DV30LL-70BVXI		48-ball (6 x 8 x 1 mm) FBGA (Pb-free)	

**Package Diagrams**

**48-ball FBGA (6 x 8 x 1 mm) (51-85150)**



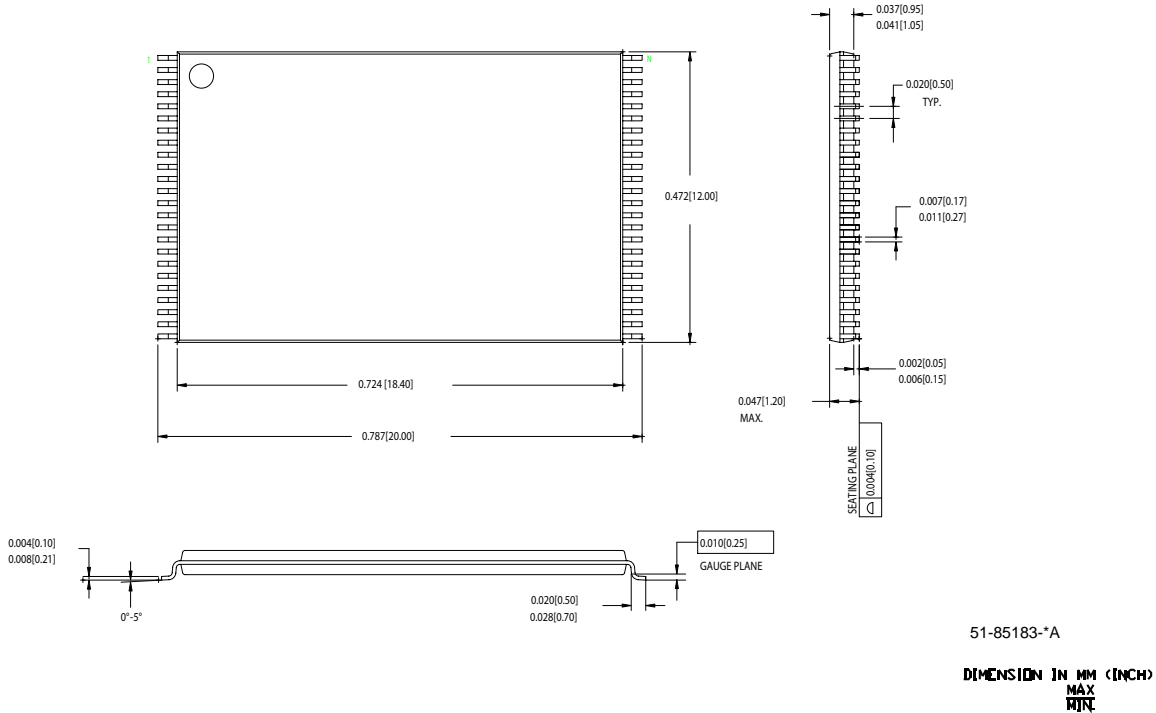
51-85150-\*D

NOT RECOMMENDED FOR NEW DESIGNS  
ONE OR MORE ORDERABLE PARTS ASSOCIATED WITH THIS DOCUMENT IS OBSOLETE. FOR  
REPLACEMENT PART INQUIRIES, PLEASE CONTACT YOUR LOCAL SALES REPRESENTATIVE

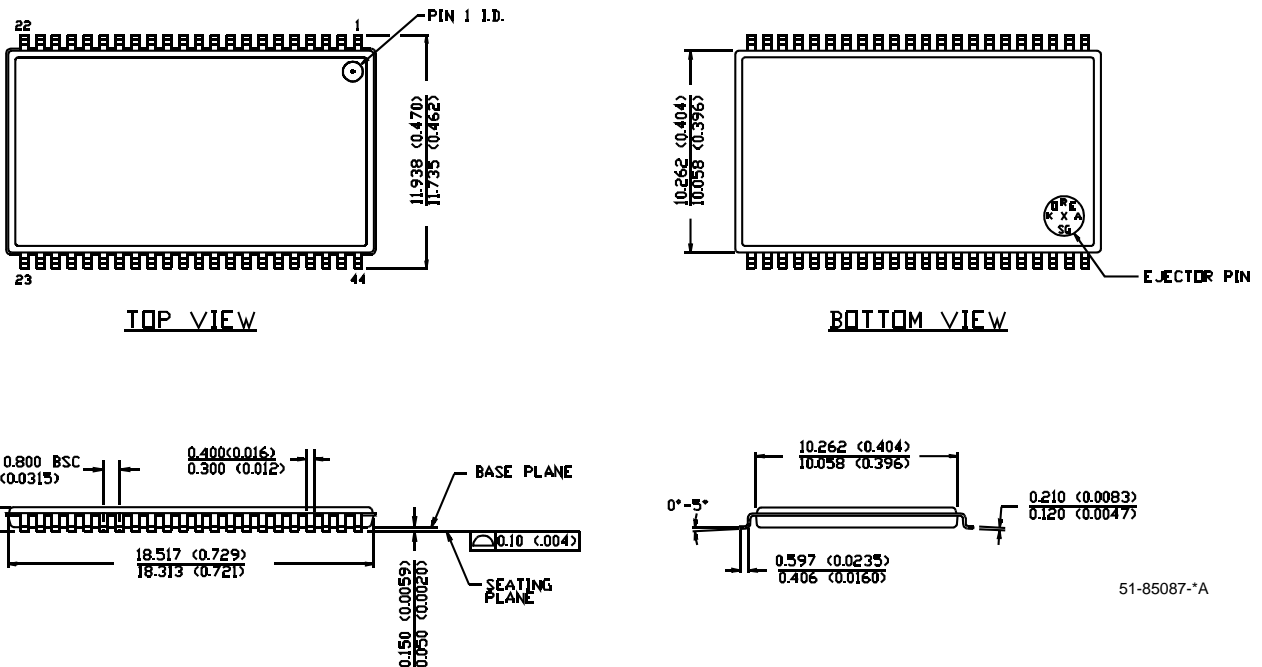
Package Diagrams (continued)

48-pin TSOP I (12 mm x 18.4 mm x 1.0 mm) (51-85183)

DIMENSIONS IN INCHES(MM) MIN. MAX.  
JEDEC # MO-142



44-pin TSOP II (51-85087)



MoBL is a registered trademark, and More Battery Life is a trademark, of Cypress Semiconductor Corporation. All product and company names mentioned in this document are the trademarks of their respective holders.

NOT RECOMMENDED FOR NEW DESIGNS  
ONE OR MORE ORDERABLE PARTS ASSOCIATED WITH THIS DOCUMENT IS OBSOLETE. FOR  
REPLACEMENT PART INQUIRIES, PLEASE CONTACT YOUR LOCAL SALES REPRESENTATIVE

**Document History Page**

Document Title: CY62157DV30 MoBL® 8-Mbit (512K x 16) MoBL® Static RAM Document Number: 38-05392				
REV.	ECN NO.	Issue Date	Orig. of Change	Description of Change
**	126316	05/22/03	HRT	New Data Sheet
*A	131013	11/19/03	CBD/LDZ	Change from Advance to Preliminary
*B	133115	01/24/04	CBD	Minor Change: Change MPN and upload.
*C	211601	See ECN	AJU	Change from Preliminary to Final Changed Marketing part number from CY62157DV to CY62157DV30 in the title and in the Ordering Information table Added footnotes 4, 5 and 11 Modified footnote 8 to include ramp time and wait time Removed MAX value for VDR on Data Retention Characteristics table Changed ordering code for Pb-free parts Modified voltage limits in Maximum Ratings section
*D	236628	See ECN	SYT/AJU	Added 45-ns and 70-ns Speed Bins Added Automotive product information
*E	257349	See ECN	PCI	Added test condition for 45 ns part (footnote #13 on page 4)
*F	372074	See ECN	SYT	Added Pb-Free Automotive Part in the Ordering Information Removed 'Preliminary' tag from Automotive Information
*G	433838	See ECN	ZSD	Changed the address of Cypress Semiconductor Corporation on Page #1 from "3901 North First Street" to "198 Champion Court" Updated the thermal resistance table Updated the ordering information table and changed the package name column to package diagram
*H	488954	See ECN	VKN	Added Automotive-A product Updated ordering Information table

 NOT RECOMMENDED FOR NEW DESIGNS  
 ONE OR MORE ORDERABLE PARTS ASSOCIATED WITH THIS DOCUMENT IS OBSOLETE. FOR  
 REPLACEMENT PART INQUIRIES, PLEASE CONTACT YOUR LOCAL SALES REPRESENTATIVE